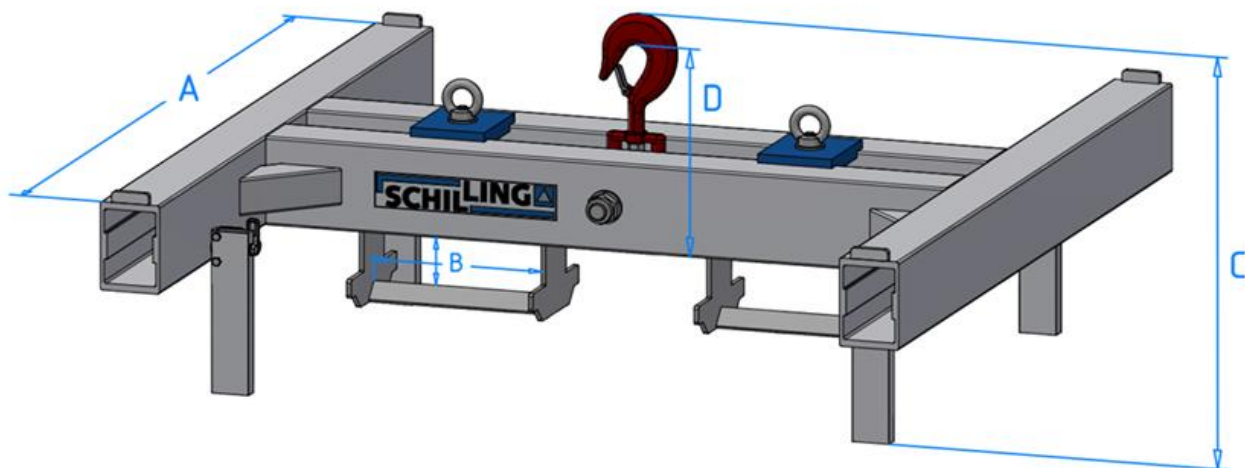


Aluminium Cross-Beam for Big-Bag

Load capacity 1.000 kg, 1.500 kg, 2.000 kg, 3.000 kg



| item no. | load capacity | outer dimensions | fork profile | total height | construction height | weight |
|-----------------|---------------|------------------|--------------|--------------|---------------------|--------|
| | | | max. | | | |
| | | A | B | C | D | |
| | kg | mm | mm | mm | mm | kg |
| 1.000 kg | | | | | | |
| 54101010 | 1000 | 1.080 x 1.080 | 240 x 114 | 367 | 253 | 46 |
| 1.500 kg | | | | | | |
| 54151010 | 1500 | 1.080 x 1.080 | 240 x 114 | 367 | 253 | 47 |
| 2.000 kg | | | | | | |
| 54201010 | 2000 | 1.080 x 1.080 | 240 x 114 | 367 | 253 | 48 |
| 3.000 kg | | | | | | |
| 54301010 | 3000 | 1.080 x 1.080 | 240 x 114 | 367 | 253 | 50 |